

## Model OBU Series

Single point  
Bending Beam Load Cell  
(1kg ~ 250kg)

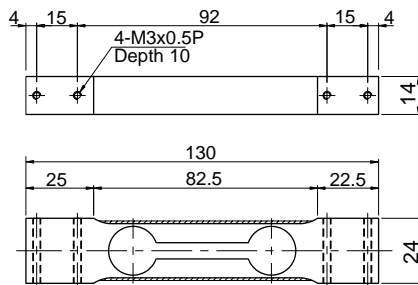
The OBU series single point load cell is designed for low profile scales and automatic check weighing systems where great accuracy, reliability and fast measurement are required.



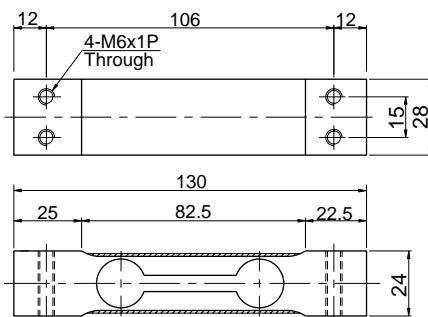
### SPECIFICATIONS

MODEL	OBU		
Rated capacity (R.C.)	1, 3 kg	6, 10, 25, 30, 50kg	100, 150, 250kg
Rated output(R.O.)	1mV/V ± 10%	2mV/V ± 10%	2.2mV/V ± 10%
Non-linearity	≤ 0.02% R.O.		
Hysteresis	≤ 0.02% R.O.		
Non-repeatability	≤ 0.02% R.O.		
Creep error	≤ 0.03% in 20min.		
Zero balance	≤ 5% R.O.		
Compensated temperature range	-10 ~ 70°C		
Operating temperature range	-20 ~ 80°C		
Temp. effect on rated output	≤ 0.012% LOAD/10°C		
Temp. effect on zero balance	≤ 0.04% R.O./10°C		
Terminal input resistance	415 Ohms ± 10 Ohms		
Terminal output resistance	350 Ohms ± 5 Ohms		
Insulation resistance (Min.)	2000 MOhms at 50V DC		
Excitation Voltage	10V(Recommended) /15V(Maximun)		
Electrial connection	1 ~ 30 kg	ø3mmx1.5m(22AWG x 4Core Shielded)	
	50~250kg	ø5mmx1.5m(22AWG x 4Core Shielded)	
Protection class	meets IP 65		
Safe overload	150% R.C		
Ultimate overload	300% R.C		

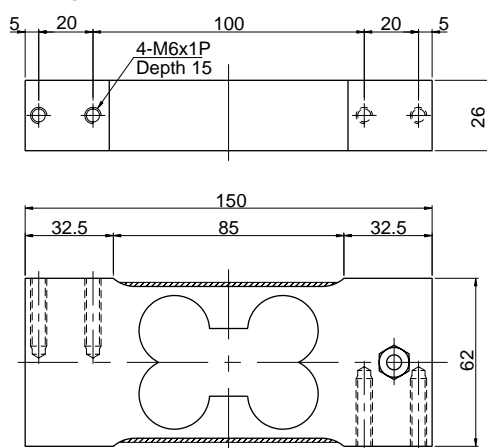
#### 1, 3kg



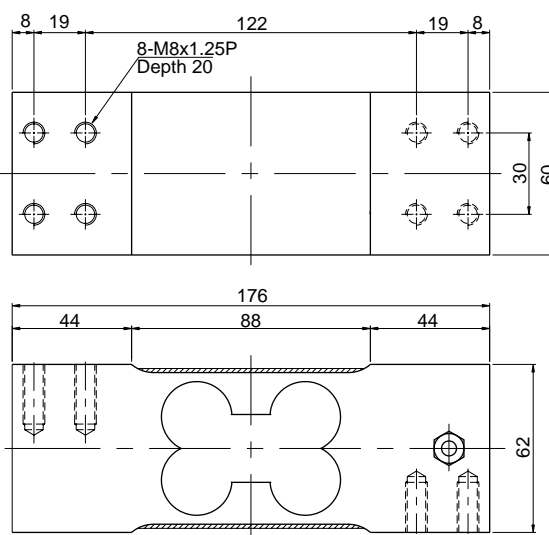
#### 6, 10, 25, 30kg



#### 50kg



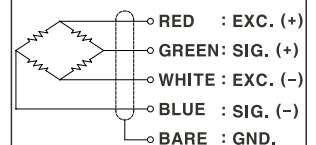
#### 100, 150, 250kg



#### ORDERING INFORMATION

**OBU - 100**  
 MODEL CAPACITY  
 OBU 1, 3, 6, 10, 25, 30, 50, 100, 150, 250 kg

#### WIRING INFORMATION



\* Specifications are subject to change without notice

DEC, 2005

## Model OBU Series

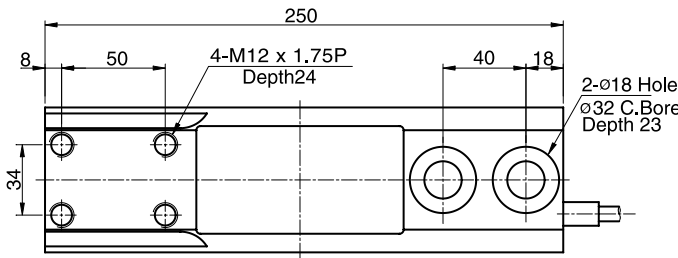
Single point  
Bending Beam Load Cell  
(600 ~ 800kg)

The OBU series single point load cell is designed for low profile scales and automatic check weighing systems where great accuracy, reliability and fast measurement are required.

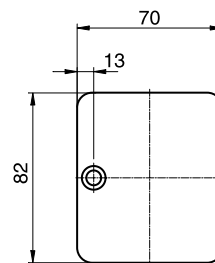
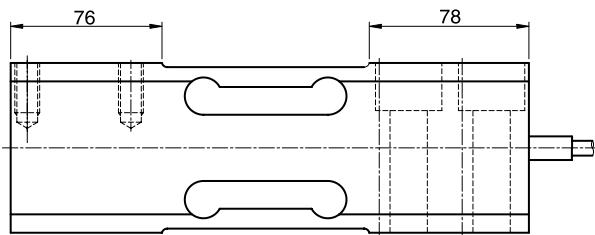


### SPECIFICATIONS

MODEL	OBU
Rated capacity (R.C.)	600, 800kg
Rated output(R.O.)	2mV/V ± 10%
Non-linearity	≤0.02% R.O.
Hysteresis	≤0.02% R.O.
Non-repeatability	≤0.02% R.O.
Creep error	≤0.03% in 20min.
Zero balance	≤5% R.O.
Compensated temperature range	-10 ~ 70°C
Operating temperature range	-20 ~ 80°C
Temp. effect on rated output	≤0.012% LOAD/10°C
Temp. effect on zero balance	≤0.04% R.O./10°C
Terminal input resistance	415 Ohms ± 15 Ohms
Terminal output resistance	350 Ohms ± 5 Ohms
Insulation resistance (Min.)	2000 MOhms at 50V DC
Excitation voltage	10V(Recommended), 15V(Max.)
Electrical connection	ø5mmx1.5m(22AWG x 4Core Shielded)
Protection class	meets IP 65
Safe overload	150% R.C
Ultimate overload	300% R.C



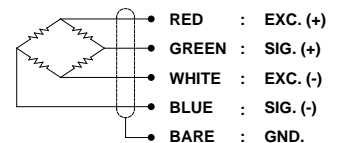
Capacity	Allowable Platform Size
600~800kg (5.88~7.85kN)	450 x 650 mm



### ORDERING INFORMATION

**OBU - 600**  
 MODEL OBU      CAPACITY 600, 800kg

### WIRING INFORMATION



Weight : 3.3kg